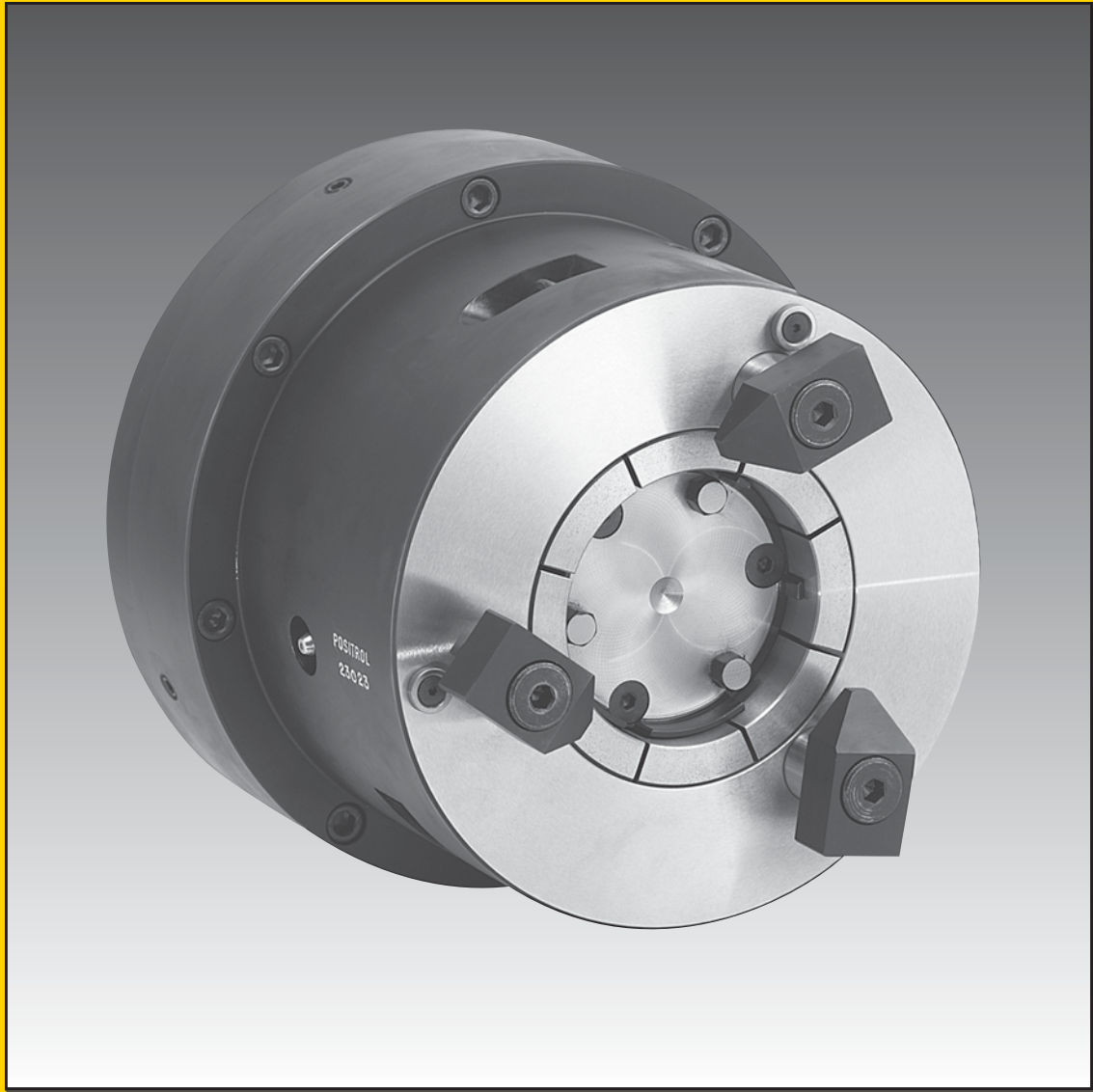


POSITROL

WORKHOLDING



Swing Clamp Chucks

Higher Productivity with Positrol's Swing Clamp Chuck

Higher Quality Parts

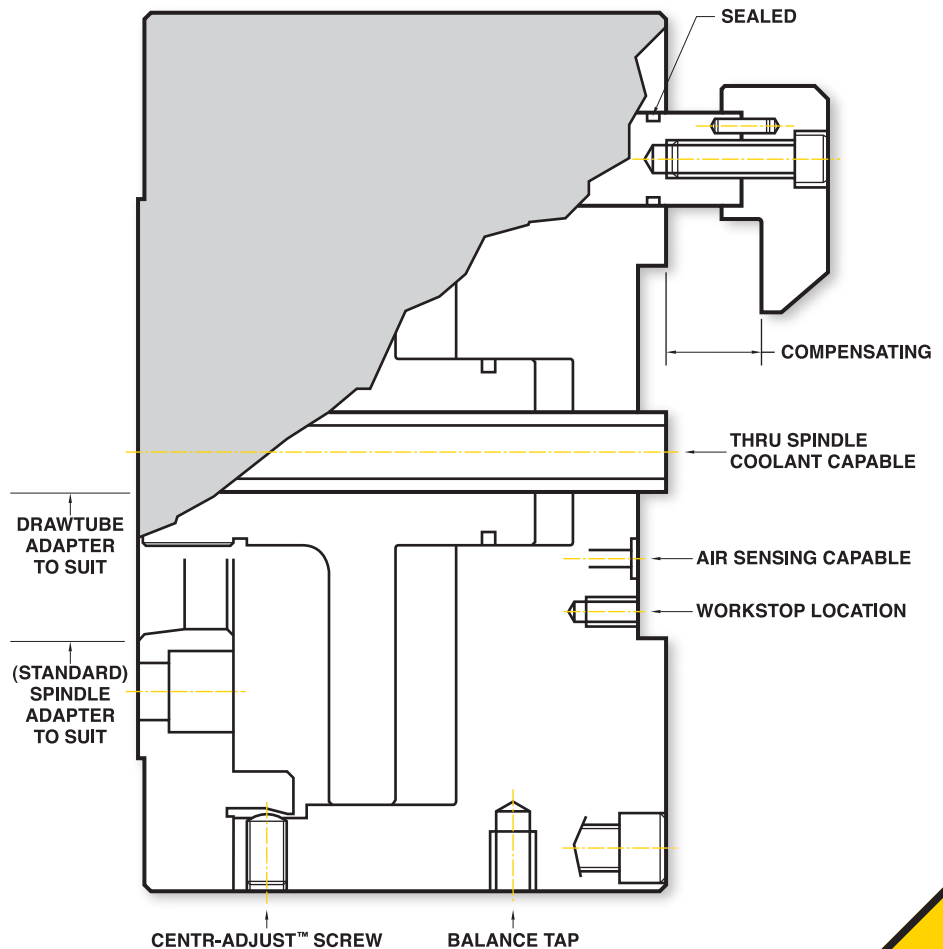
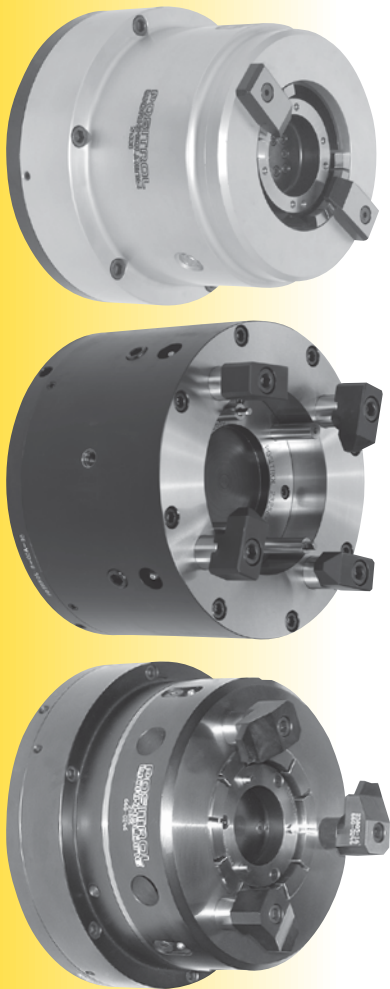
- Thin walled, irregular, or out-of-round parts can be clamped for turning, milling and grinding without distortion
- Out-of-flat parts can be clamped evenly on all points which will eliminate deformation
- Parts can be centralized by collets to positively secure the part or by straight/tapered pins
- Jaw quantity and position are designed to clamp the part in the optimum locations
- Air sensing capable to ensure that the part is located against the workstop to maintain parallelism

More Throughput

- Better quality parts decreases scrap rate
- Workstops are designed to suit multiple parts to eliminate changeover
- Thru spindle coolant capability prevents chip build up for nonstop production

Increase Uptime and Decrease Cost

- Sealed against contamination for continuous use
- All components are hardened and ground for long life to decrease repair costs
- Exclusive design features that will give you years of operation



CALL FOR APPLICATION ASSISTANCE AT 513-272-0500

POSITROL, INC. • 3890 VIRGINIA AVE. • CINCINNATI, OHIO 45227
PHONE: 513-272-0500 • FAX: 513-272-0503 • email: sales@positrol.com

www.positrol.com

FOR
APPLICATION
ASSISTANCE
513-272-0500