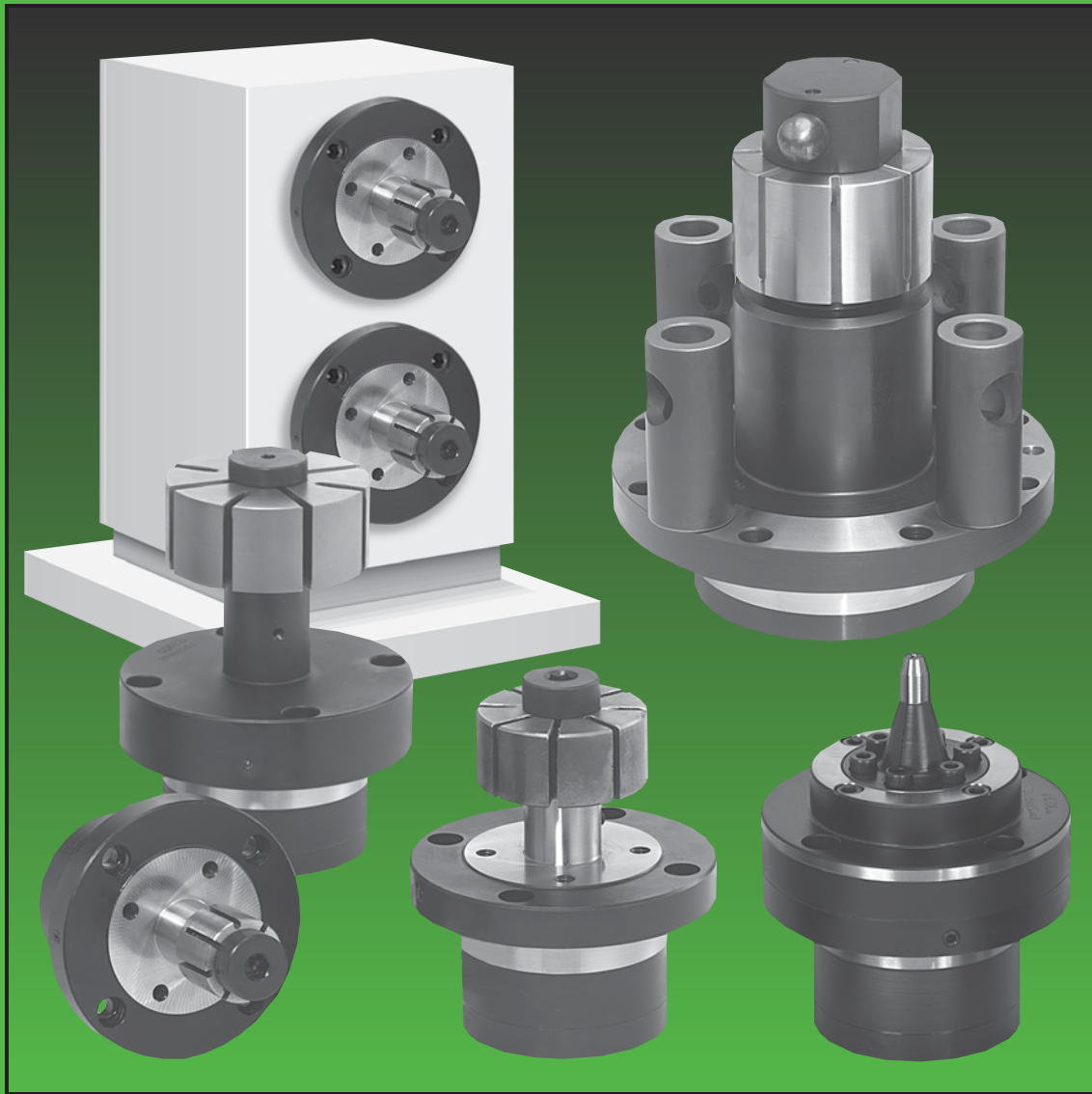


POSITROL WORKHOLDING



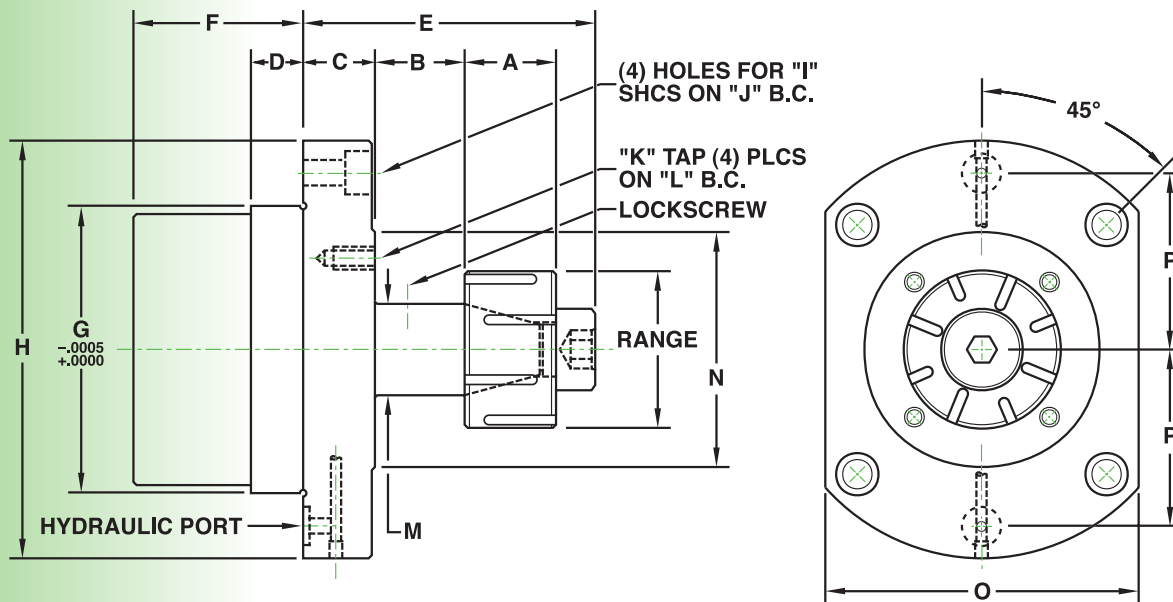
CARTRIDGE ARBORS

POSITROL WORKHOLDING

Simplify fixtures and tombstone designs with Positrol's Cartridge Arbors

FEATURES

- Collet expands to locate and grip inside diameters
- Compact design requires minimum space
- Integral actuator with internal porting eliminates the need for tubes and fittings
- Collets can be ground for splines, threads, squares or diamonds
- Pullback action contributes to positive location of the part against a workstop
- Bolt hole pattern is provided to attach the workstop
- Collets and arbors are manufactured of the highest quality steel, heat treated and precision ground
- Guaranteed repeatability within .0005" TIR
- Available in eight sizes from stock .50" – 6.00" diameter. Specials are offered.



ASSEMBLY	RANGE	COLLET	MAXIMUM EXPANSION	LOADING CLEARANCE	A	B	C	D	E	F	G	H	I	J	K	L	M	N	O	P
ACFSS-1	.50-1.00"	ISX-1	0.006	0.0015	0.38	0.62	0.687	0.38	1.94	1.63	2.1245	3.38	0.25	2.875	#10-32	1.750	0.437	2.25	2.63	1.375
ACFSS-2	.62-1.25"	ISX-2	0.008	0.0025	0.56	0.68	0.687	0.38	1.94	1.63	2.1245	3.38	0.25	2.875	#10-32	1.750	0.562	2.25	2.63	1.375
ACFSS-3	.75-1.50"	ISX-3	0.010	0.0025	0.75	0.80	0.687	0.38	2.46	1.63	2.7495	4.00	0.25	3.375	#10-32	1.750	0.687	2.25	3.00	1.688
ACFSS-4	.94-2.00"	ISX-4	0.012	0.0025	0.88	0.86	0.687	0.38	2.67	1.63	2.7495	4.00	0.25	3.375	#10-32	1.750	0.875	2.25	3.00	1.688
ACFSS-5	1.38-3.00"	ISX-5	0.015	0.0030	1.25	1.12	0.812	0.38	3.48	1.69	3.2495	4.75	0.31	4.000	.250-20	2.750	1.250	3.25	3.63	2.000
ACFSS-6	1.62-4.25"	ISX-6	0.020	0.0035	1.50	1.26	0.812	0.38	3.91	1.69	3.2495	4.75	0.31	4.000	.250-20	2.750	1.500	3.25	3.63	2.000
ACFSS-7	2.38-5.50"	ISX-7	0.025	0.0035	2.00	1.38	1.000	0.50	4.88	2.19	4.3745	6.50	0.31	5.750	.375-16	4.000	2.250	5.00	5.00	2.750
ACFSS-8	2.87-7.00"	ISX-8	0.030	0.0040	2.25	1.50	1.000	0.50	5.28	2.19	4.3745	6.50	0.31	5.750	.375-16	4.000	2.750	5.00	5.00	2.750

LESS COLLETS

FOR APPLICATION ASSISTANCE, CALL US AT 1-800-875-8175

*ALL DIMENSIONS & SPECIFICATIONS ARE SUBJECT TO CHANGE

POSITROL, INC. ● 3890 VIRGINIA AVE. ● CINCINNATI, OH 45227 ● PHONE: 513-272-0500 ● FAX: 513-272-0503