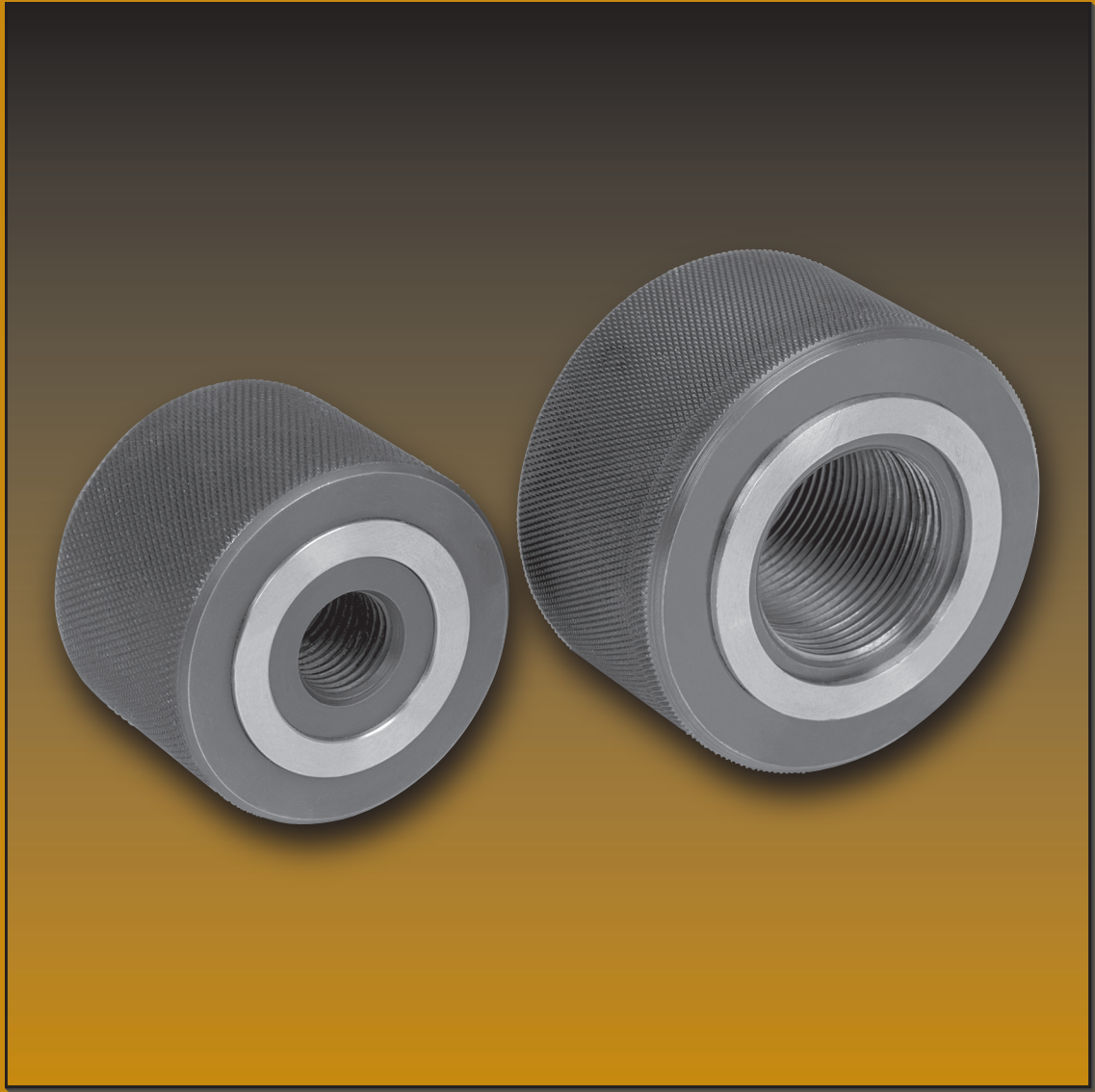


# POSITROL WORKHOLDING



**Posi-Nut Hydraulic Nuts**

## Higher Productivity with Positrol's Posi-Nut

The Posi-Nut replaces standard nuts to provide quicker, safer, and more accurate fastening of a bolted connection. Simply hand-tighten the nut and actuate it with an allen wrench to extend the pressure ring. Hydraulic pressure from the ring exerts force onto the shaft to ensure the tightest fit possible – up to 3 times the grip force of a standard nut!

### Increased Safety

- Holds under severe vibrations
- Removes knife wobble
- Compensates for stud relaxation

### Increased Throughput

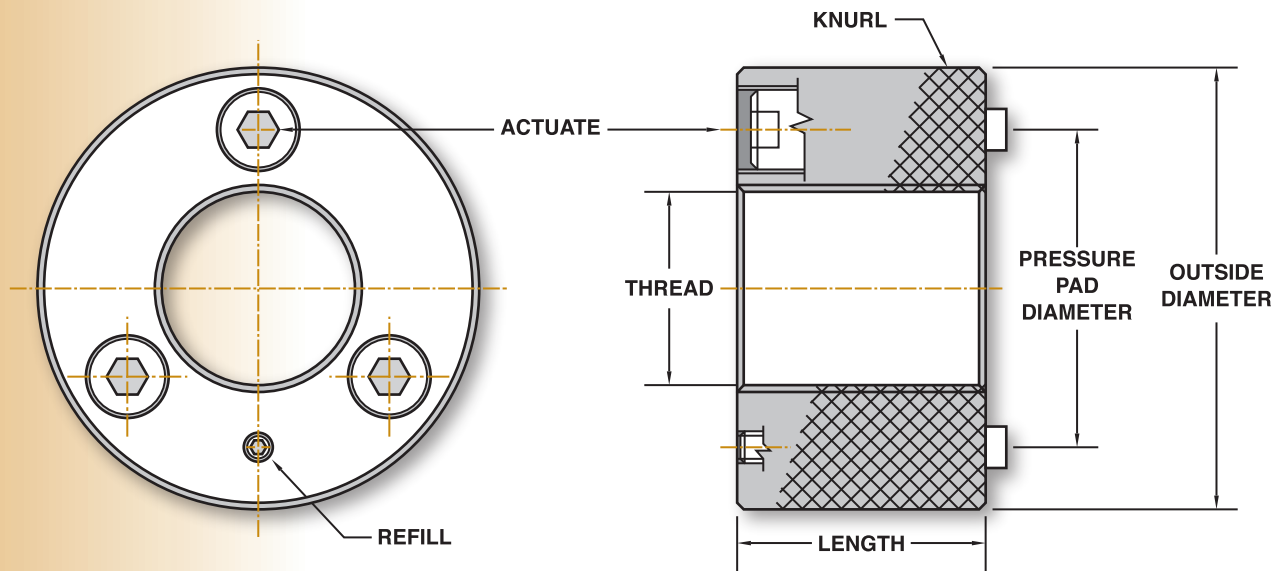
- Allows for quick changes
- Increases knife and arbor life
- Simple to operate and requires less physical effort

### Higher Quality

- Compensates to decrease shaft runout
- Eliminates friction twisting of the shaft
- Compact design

### APPLICATIONS FOR POSI-NUT

- Slitting Mills
- Rolling Mills
- Hobb Arbors
- Bearing Retainers
- Abrasive/Cut off Machinery
- Oil Field
- Pumps
- Punch Presses
- Shipyard Application
- Wind Energy



MODEL	MAXIMUM THREAD SIZE		PRESSURE PAD DIAMETER		OUTSIDE DIAMETER		LENGTH		THRUST FORCE LBF
PNN-250	M25	1.000	45	1.75	64	2.50	50	2.00	10,500
PNN-300	M38	1.500	57	2.25	75	3.00	50	2.00	14,000
PNN-400	M57	2.250	76	3.00	102	4.00	54	2.13	19,500
PNN-500	M75	3.000	95	3.75	127	5.00	64	2.50	11,500
PNN-600	M100	4.000	127	5.00	152	6.00	64	2.50	15,500

CALL FOR APPLICATION ASSISTANCE AT 513-272-0500

\*ALL DIMENSIONS & SPECIFICATIONS ARE SUBJECT TO CHANGE

POSITROL, INC. • 3890 VIRGINIA AVE. • CINCINNATI, OHIO 45227  
PHONE: 513-272-0500 • FAX: 513-272-0503 • email: sales@positrol.com

[www.positrol.com](http://www.positrol.com)

**QUANTITY  
DISCOUNTS  
AVAILABLE!  
CALL:  
513-272-0500**