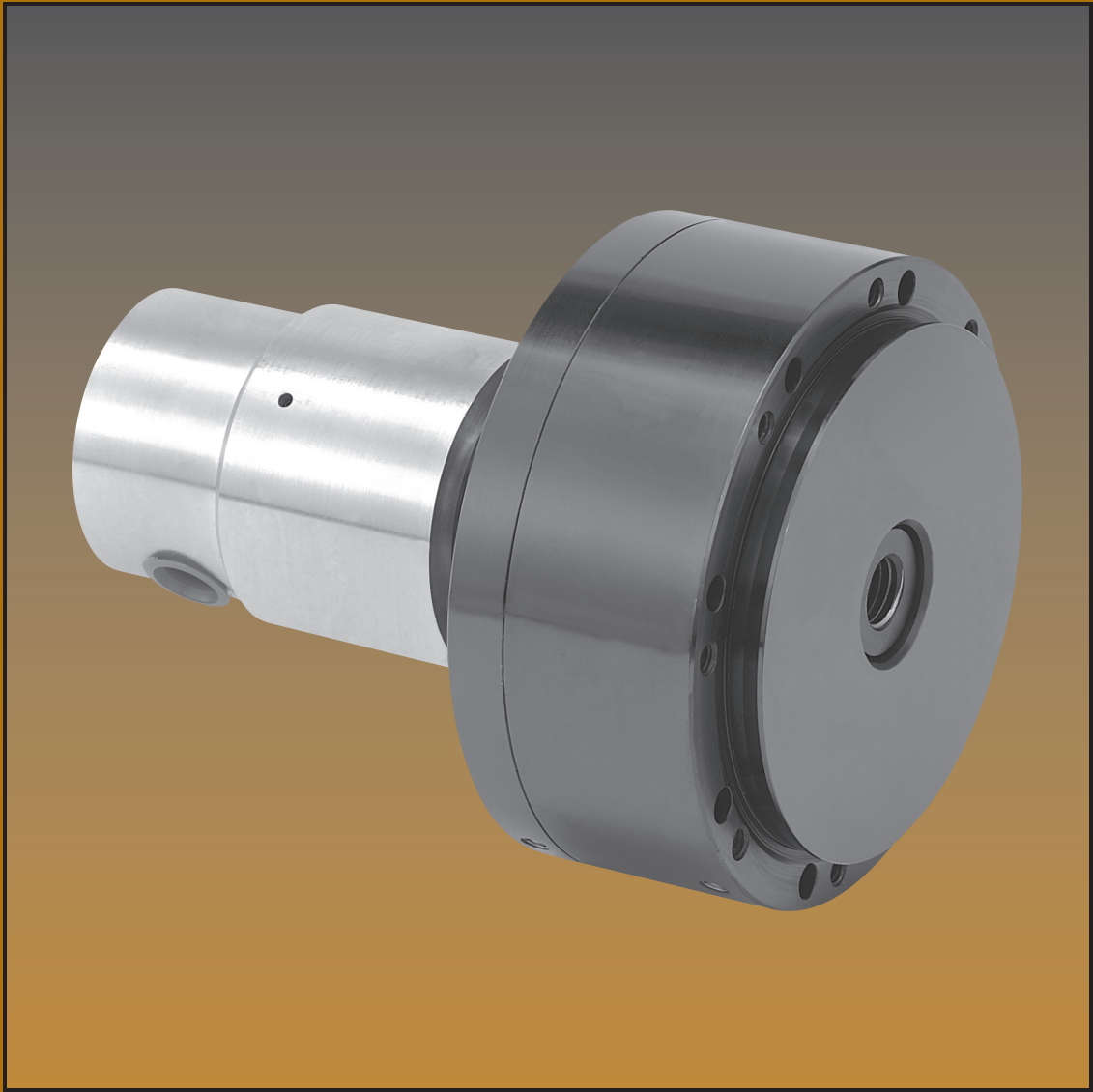


POSITROL

WORKHOLDING



Rotating & Stationary Cylinders

POSITROL WORKHOLDING

FEATURES

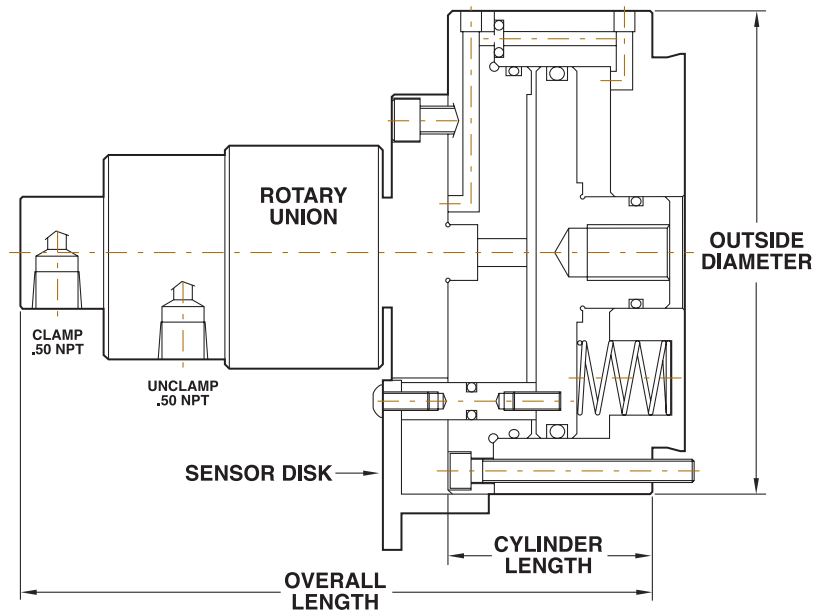
- Works with Positrol and other chucks and arbors
- Actuated by either air, hydraulic fluid or springs
- Adapts to any machine
- Rotating or stationary applications available

BENEFITS

- Safety, with positive clamp/unclamp sensing, failsafe check valves and spring assist
- Single source responsibility (chuck & cylinder packages)
- More flexibility with multiple clamping options

OPTIONS

- Linear position disk option for proximity switches
- Failsafe check valves
- Actuation method
- Push or pull to clamp



MODEL	OPTIONS						OUTSIDE DIAMETER (IN)	OVERALL LENGTH (IN)	CYLINDER LENGTH (IN)	MAXIMUM* PRESSURE (PSI)	MAXIMUM FORCE (LBF)		MAXIMUM* RPM
	MEDIUM		TO CLAMP		SENSOR DISK	CHECK VALVE					PUSH	PULL	
	AIR	HYD	PULL	PUSH									
HYDRAULIC OR AIR CLAMP AND UNCLAMP													
6-RCA	◆		◆	◆			6.50	8.50	2.75	120	2350	2100	5000
6-RCA-D	◆		◆	◆	◆		6.50	8.50	2.75	120	2350	2100	5000
6-RCA-LDC	◆		◆		◆	◆	6.50	8.50	2.75	120		2100	5000
6-RCA-UDC	◆		◆		◆	◆	6.50	8.50	2.75	120	2350		5000
6-RCH		◆	◆	◆			6.50	8.50	2.75	500	9800	8900	5000
6-RCH-D		◆	◆	◆	◆		6.50	8.50	2.75	500	9800	8900	5000
6-RCH-LDC		◆	◆		◆	◆	6.50	8.50	2.75	500		8900	5000
6-RCH-UDC		◆	◆		◆	◆	6.50	8.50	2.75	500	9800		5000
8-RCA	◆		◆	◆			8.25	8.63	2.88	120	4300	4050	5000
8-RCA-D	◆		◆	◆	◆		8.25	8.63	2.88	120	4300	4050	5000
8-RCA-LDC	◆		◆		◆	◆	8.25	8.63	2.88	120		4050	5000
8-RCA-UDC	◆		◆		◆	◆	8.25	8.63	2.88	120	4300		5000
8-RCH		◆	◆	◆			8.25	8.63	2.88	500	17875	17000	5000
8-RCH-D		◆	◆	◆	◆		8.25	8.63	2.88	500	17875	17000	5000
8-RCH-LDC		◆	◆		◆	◆	8.25	8.63	2.88	500		17000	5000
8-RCH-UDC		◆	◆		◆	◆	8.25	8.63	2.88	500	17875		5000
SPRING CLAMP ASSIST/HYDRAULIC OR AIR RELEASE													
6-RSA-L	◆		◆				6.50	8.50	2.75	120		2580	5000
6-RSA-LD	◆		◆		◆		6.50	8.50	2.75	120		2580	5000
6-RSA-U	◆			◆			6.50	8.50	2.75	120	2830		5000
6-RSA-UD	◆			◆	◆		6.50	8.50	2.75	120	2830		5000
6-RSH-L		◆	◆				6.50	8.50	2.75	500		9380	5000
6-RSH-LD		◆	◆		◆		6.50	8.50	2.75	500		9380	5000
6-RSH-U		◆		◆			6.50	8.50	2.75	500	10280		5000
6-RSH-UD		◆		◆	◆		6.50	8.50	2.75	500	10280		5000
8-RSA-L	◆		◆				8.25	8.63	2.88	120		5040	5000
8-RSA-LD	◆		◆		◆		8.25	8.63	2.88	120		5040	5000
8-RSA-U	◆			◆			8.25	8.63	2.88	120	5260		5000
8-RSA-UD	◆			◆	◆		8.25	8.63	2.88	120	5260		5000
8-RSH-L		◆	◆				8.25	8.63	2.88	500		17960	5000
8-RSH-LD		◆	◆		◆		8.25	8.63	2.88	500		17960	5000
8-RSH-U		◆		◆			8.25	8.63	2.88	500	18850		5000
8-RSH-UD		◆		◆	◆		8.25	8.63	2.88	500	18850		5000

* Operation at Maximum Pressure & RPM should be avoided.

All dimensions and specifications are subject to change.

FOR APPLICATION ASSISTANCE CALL OR VISIT OUR WEBSITE AT www.positrol.com

POSITROL, INC. ● CINCINNATI, OH ● PHONE: 513-272-0500 ● FAX: 513-272-0503 ● sales@positrol.com