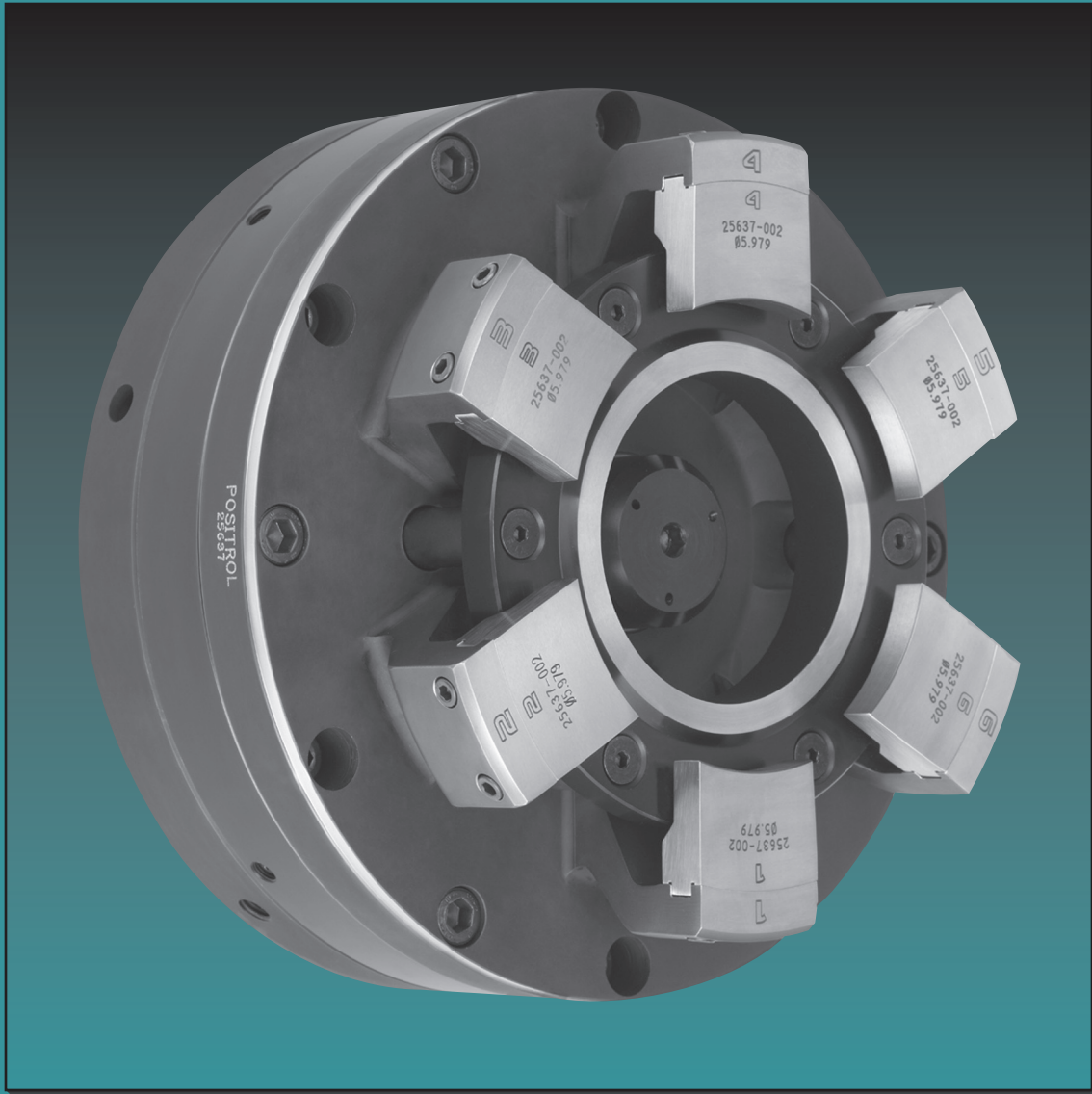


POSITROL

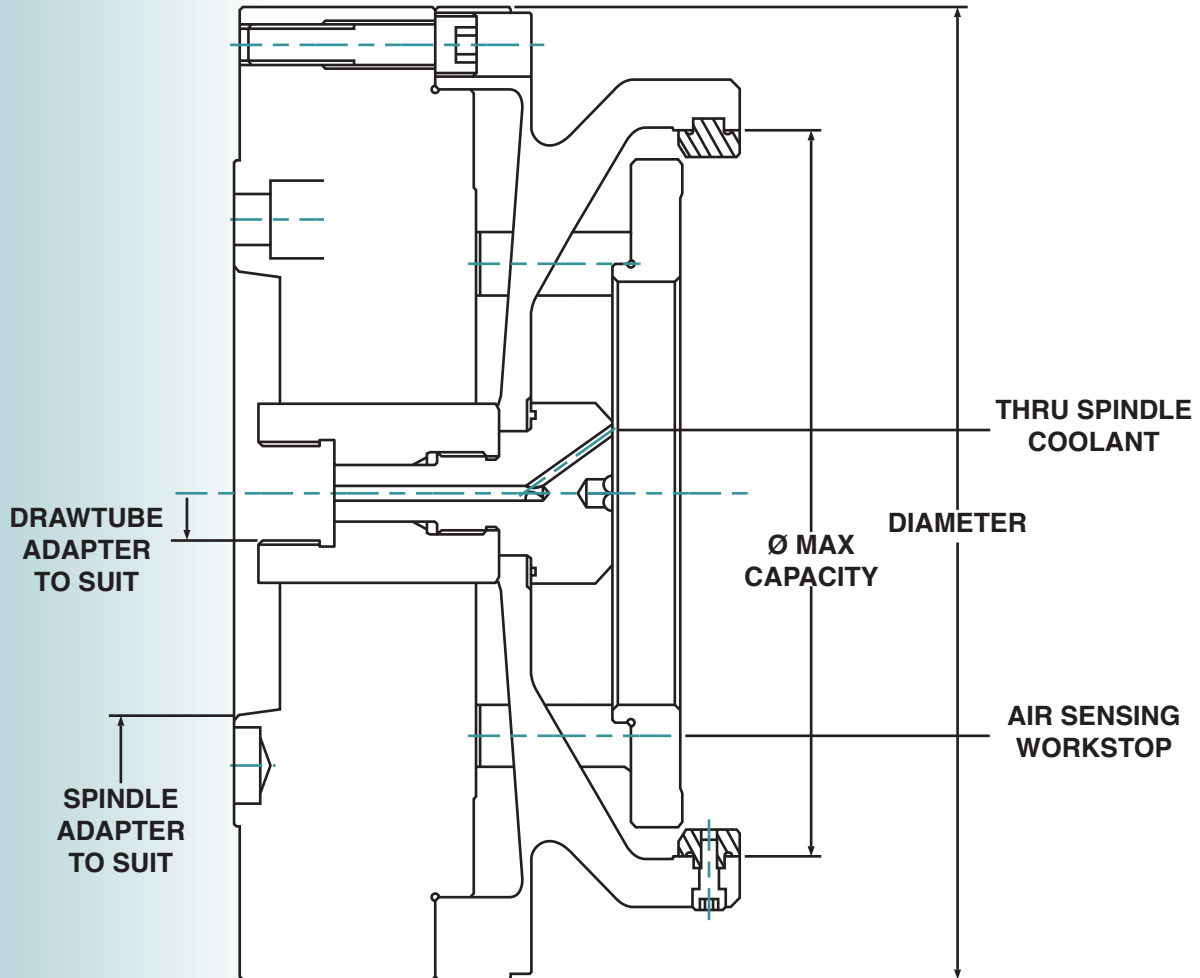
WORKHOLDING



Diaphragm Chucks

POSITROL WORKHOLDING

- Excellent for grinding or hard turning operations that require precisions.
- Very accurate with repeatability <.0001" (.003 MM) • Repeats within .0001
- Thru spindle coolant or air sensing capable
- Can be self-contained with internal cylinder or drawbar operated
- Uses pads for repeatable size changes
- Virtually maintenance free.
- Workstop mounting for positive location and squareness.



Diaphragm Chuck Table

MODEL	DIAMETER	MAX CAPACITY	LENGTH
8-CDCD	8.25" 210 mm	4.3"Ø 108 mm	3.9" 99 mm
10-CDCD	10" 254 mm	6.5"Ø 165 mm	5.2" 132 mm
12-CDCD	12" 305 mm	8.5"Ø 215 mm	6.5" 165 mm

CALL US FOR APPLICATION ASSISTANCE

POSITROL, INC. • 3890 VIRGINIA AVE. • CINCINNATI, OHIO 45227
PHONE: 513-272-0500 • FAX: 513-272-0503 • email: sales@positrol.com

www.positrol.com

**FOR MORE
INFORMATION ON
DIAPHRAGM
CHUCKS
CALL 513-272-0500**